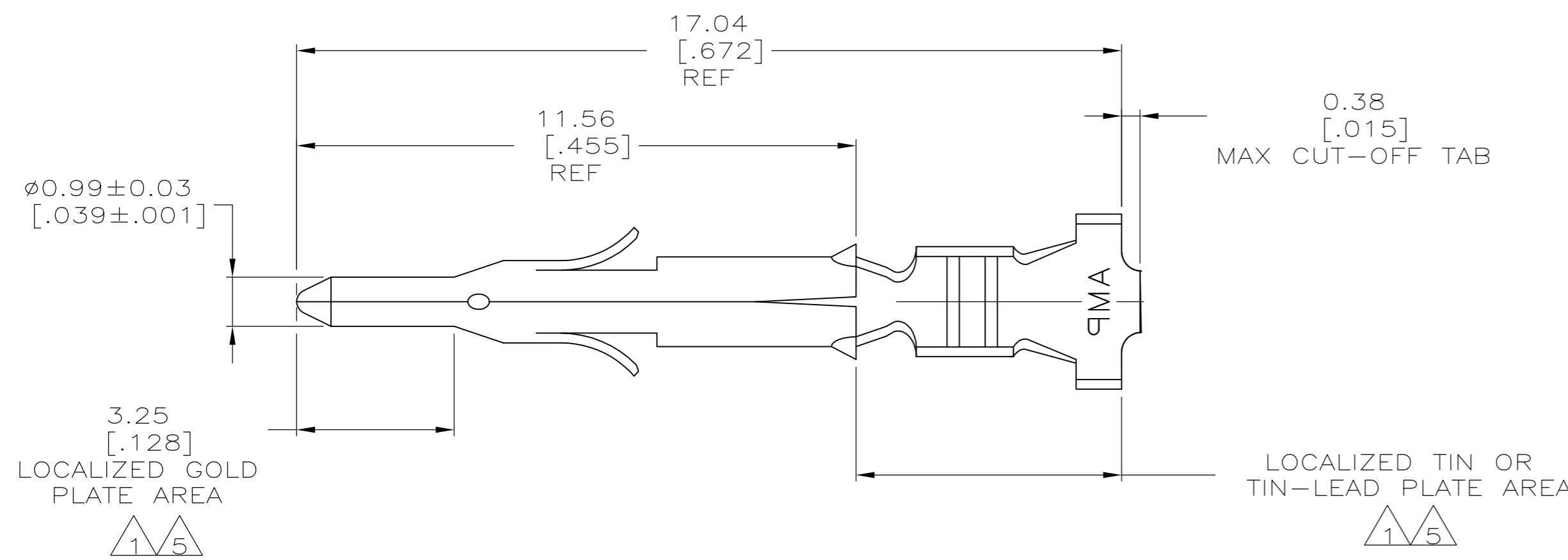
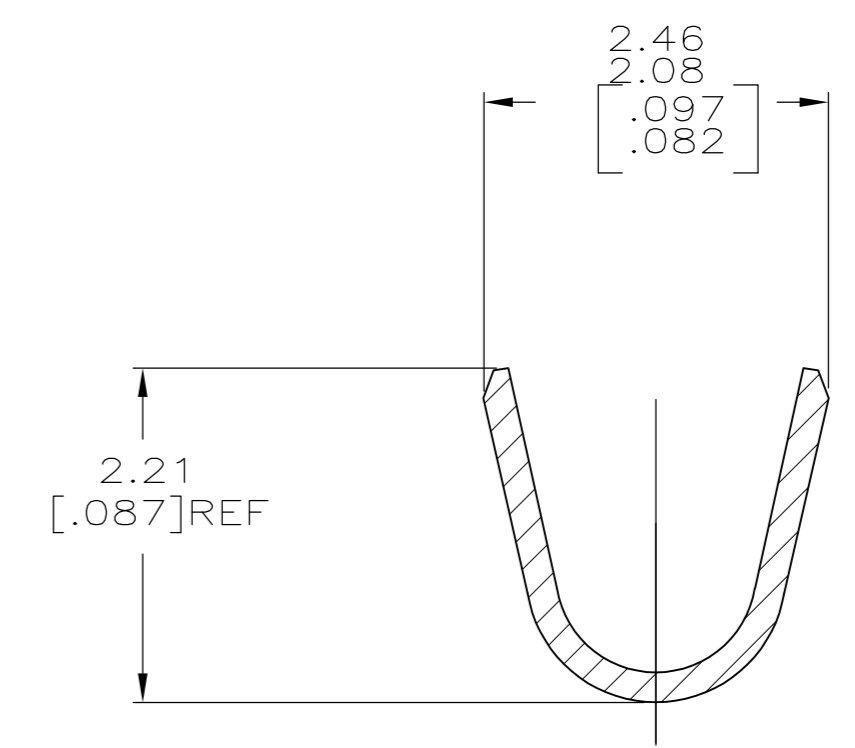
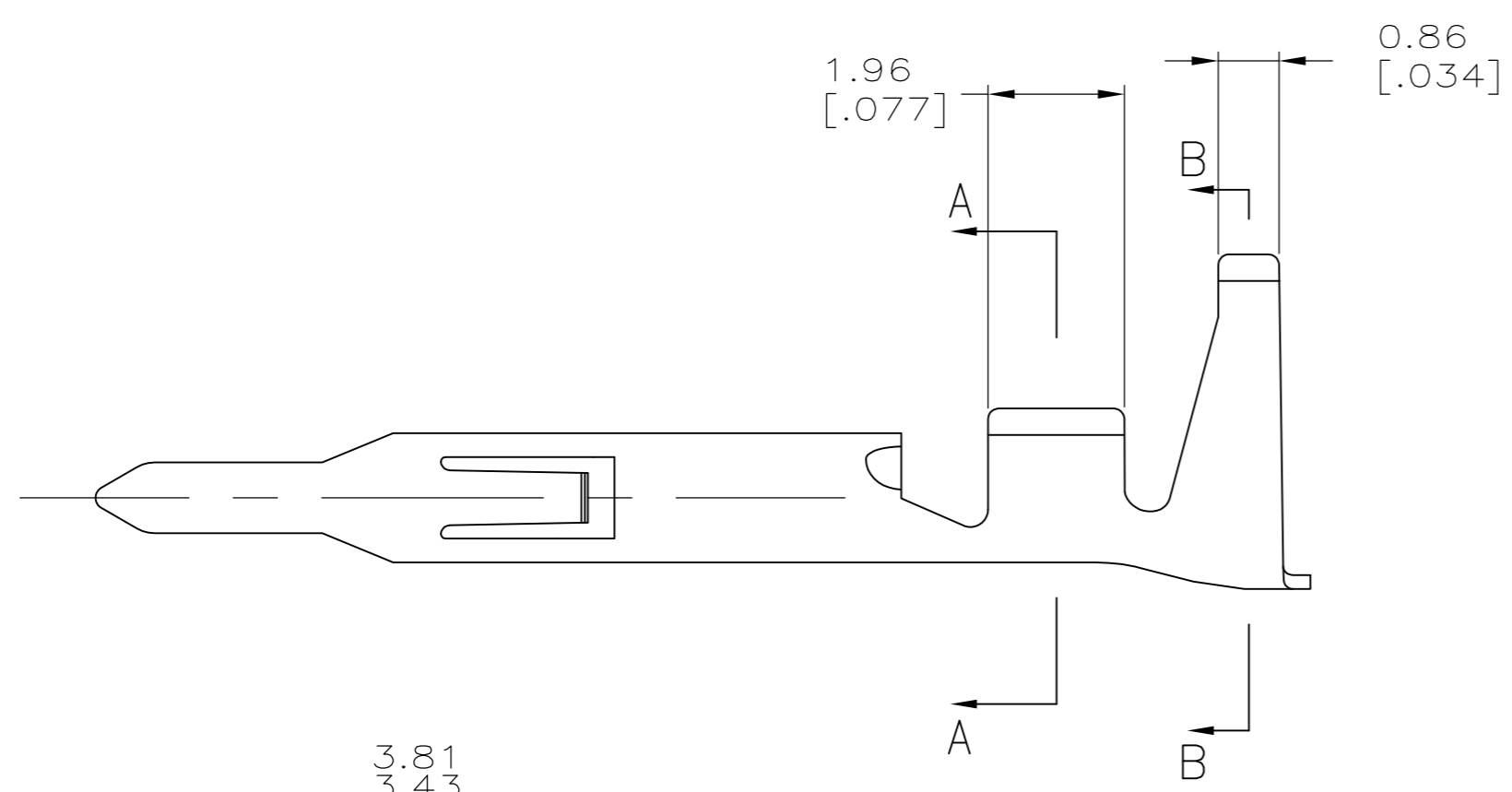


THIS DRAWING IS UNPUBLISHED. RELEASED FOR PUBLICATION
 © COPYRIGHT - By - ALL RIGHTS RESERVED.

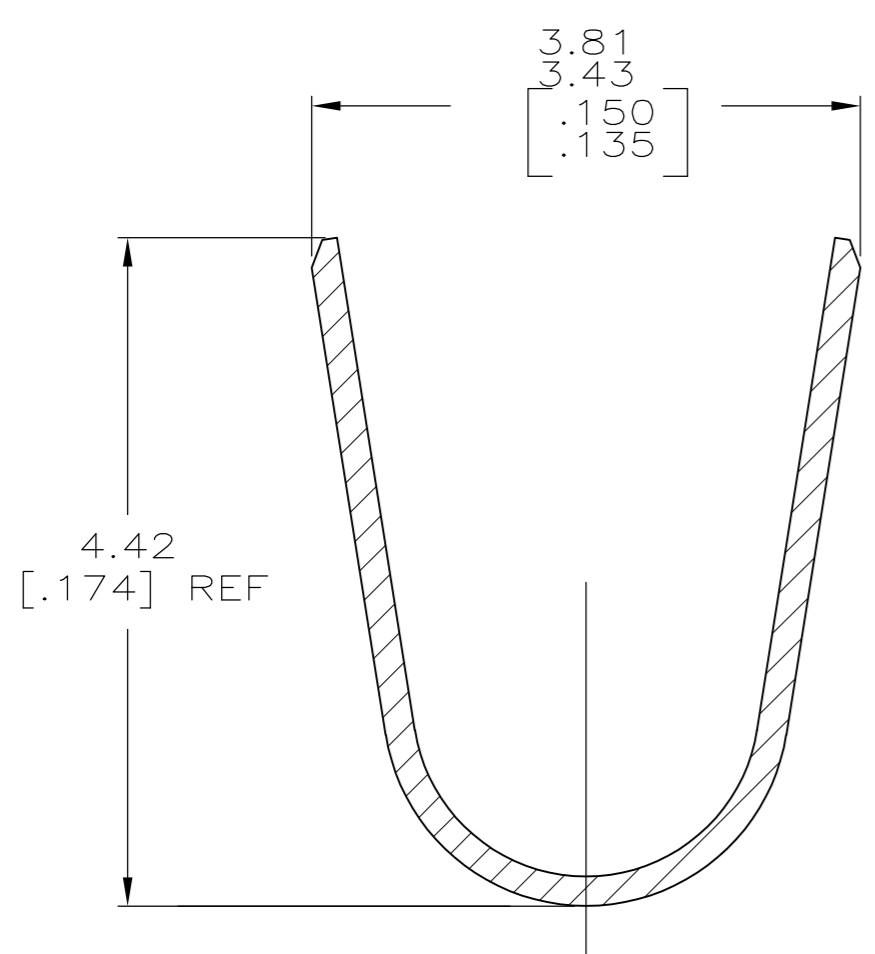
| LOC | | DIST | | REVISIONS | | | |
|-----|-----|-------------|--|---------------|-----------|------|-----|
| P | LTR | DESCRIPTION | | DATE | DWN | APVD | |
| CM | 00 | H | | ECO-13-000901 | 08MAR2013 | MGT | R.P |



- 1. 0.00076 [.000030] MIN GOLD IN LOCALIZED GOLD PLATE AREA AND 0.00254 [.000100] MIN BRIGHT TIN-LEAD IN LOCALIZED TIN-LEAD PLATE AREA OVER 0.0013 [.000050] MIN NICKEL.
- 2. WIRE RANGE: 0.3 - 0.9mm² (22-18 AWG).
- 3. INSULATION RANGE: 1.50-2.40 [.060-.094] DIA.
- 4. DIMENSIONS IN BRACKETS ARE IN INCHES.
- 5. 0.00076 [.000030] MIN GOLD IN LOCALIZED GOLD PLATE AREA AND 0.00254 [.000100] MIN BRIGHT TIN IN LOCALIZED TIN PLATE AREA OVER 0.0013 [.000050] MIN NICKEL.



SECTION A-A
SCALE 20:1



SECTION B-B
SCALE 20:1

| | | |
|---------|-------------------|-------------|
| 5 | 0.20 [.008] BRASS | 1-770987-0 |
| 1 | 0.20 [.008] BRASS | 770987-3 |
| PRE-TIN | 0.20 [.008] BRASS | 770987-1 |
| FINISH | MATERIAL | PART NUMBER |

| | | | | |
|--|------------------|-------------------------------|---------------------------|--------------------|
| THIS DRAWING IS A CONTROLLED DOCUMENT. | | DWN S. HOOVER 05MAR03 | TE TE Connectivity | |
| DIMENSIONS: mm [INCHES] | | CHK C. JONES 05MAR03 | | |
| TOLERANCES UNLESS OTHERWISE SPECIFIED: | | APVD C. JONES 05MAR03 | NAME | |
| 0 PLC ± - | PRODUCT SPEC | PIN, LOOSE PIECE | | |
| 1 PLC ± - | APPLICATION SPEC | MINI UNIVERSAL MATE-N-LOK(TM) | | |
| 2 PLC ± 0.13 [.005] | WEIGHT | SIZE A2 | CAGE CODE 00779 | DRAWING NO. 770987 |
| 3 PLC ± - | CUSTOMER DRAWING | SCALE 10:1 | SHEET 1 of 1 | REV H |
| 4 PLC ± - | | | | |
| ANGLES ± - | | | | |
| FINISH | | | | |

